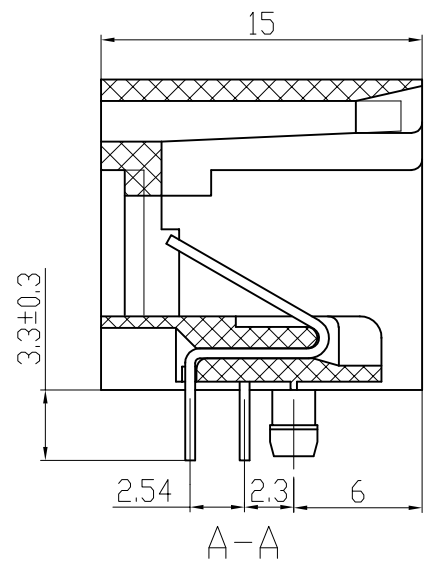
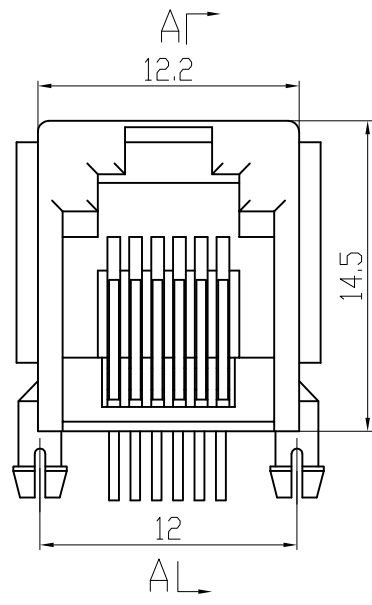


PC Board Layout



PCB JACK Specification

1. Insulation Resistance: 500M Ω MIN @ 500 VDC
2. Withstanding Voltage: AC1000V 50Hz or 60Hz 1min.
3. Durability: 600 Mating Cycles MIN.
4. Gold Plating: (3;6;15;30;50)u inch
5. Tolerances Unless Otherwise Specified
 .0±0.25 .00±0.20 .000±0.10

| | | | | | | |
|------------|---------------|-------------|----------------------|------------|------------|---------------------------|
| 电话 (tel) | 0769-81585156 | | Http://www.coorle.cn | | | |
| 传真 (fax) | 0769-81605156 | | | | | |
| 单位 (units) | MM | 设计 (draw) | | 材料 (mt' l) | 图名 (name) | 5523 6P6C-E |
| 比例 (scale) | 1 : 1 | 审核 (ch' k) | | | | |
| 版次 (rev.) | A / 1 | 核准 (app' d) | | HOUSING | PBT | 料号 (Part number) SC516 |
| 视图 (view) | | 日期 (date) | 2007. 08. 18 | PIN | Qsn6.5-0.1 | 图档 (File Name) E:\CSC\工程图 |